

CHDXX576RSXX

20 or 32 Megapixel (MP) H.265/H.264 All-in-One Multi-Sensor Cameras with Cap and RJ45-IP67 Quick Disconnect Remote Setup Omni-Directional Remote-Configurable Multi-Sensor True Day/Night Indoor/Outdoor Dome IP Cameras with SNAPstream+™ (Smart Noise Adaptation and Processing), WDR (Wide Dynamic Range), NightView™, Analytics, and IR Models



ONVIF | G M S T



NDAA Compliant

Advanced Optics

- 20MP (4x 5MP Sensors) or 32MP (4x 8MP Sensors)
- Preset Positions to Create a 360°, 270°, or 180° Field of View, or Save Custom Presets
- NightView for Strong Low Light Performance and Integrated IR (RSIR Models)
- True Day/Night Functionality with Mechanical IR Cut Filter
- Enhanced WDR up to 120dB at Full Resolution: See Clearly in Shaded and Bright Light Conditions Simultaneously
- Remote Setup with Motorized Pan, Tilt, and Zoom (Set & Forget)
- Smart IR LEDs

Rugged Construction

- Outdoor Rated IP66 and IK-10 Impact-Resistant Housing

Installation and Interoperability

- Pre-assembled and wired for easy installation
- Factory assembled and tested
- Easy Setup: Remove packing material, attached the lower dome, attach the quick disconnect to the mount and connect the Ethernet cable
- Triple Encoder: H.265/H.264/MJPEG

- No Touch Setup: 4 Individual Camera Gimbals Each with a Varifocal Motorized Lens That Can be Remotely Setup in Any Position Around a 360° Track
- Network Protocols Include SNMP, HTTPS, IPv6, DHCP, 802.1x, and More
- All-in-One H.265/H.264 802.11bt class 5 or greater compatible
- Omni-Directional Track with 4 Customizable Sensors

Intelligent Video Analytics

- On-Camera Analytics
- Advanced Video Analytics
- Motion Detection
- Privacy Mask

Storage and Compliance

- 2TB Capacity MicroSDXC Card Slot(s) for Onboard Storage
- NDAA and TAA Compliant

Additional Features

- SNAPstream+ Advanced Compression Algorithm Reduces Bandwidth without Impacting Image Quality
- On-Screen Display (OSD)
- Bit Rate Control, Multi-Streaming, and Multicasting

The ConteralP Omni LX Remote Setup (RS) is an industry-game-changing omnidirectional, remote-configurable, multi-sensor, multi-megapixel camera built to provide outstanding high resolution video coverage for a wide range of applications. The unmatched coverage and capabilities of the ConteralP Omni LX RS provides organizations of all sizes the flexibility to deploy a surveillance camera system that truly matches their current and future requirements for complete situational awareness.

ConteralP Omni LX RS is available with a 20-megapixel (MP) or 20MP and 32MP resolution with IR. The number of cameras required for a project can be dramatically reduced with a single ConteralP Omni LX RS, thanks to its four customizable remote sensor gimbals. Installation is fast and easy via the included RJ45-IP67 quick disconnect and included cap. The unit can attach to any

1.5 inch female mount. Connect the network cable, and then remotely configure the camera. Select a preset choice for 180°, 270°, or 360° views, or use the intuitive interface to remotely pan, tilt, zoom, and focus each sensor. Two custom presets created by the user can be saved to memory. The camera is integrated with the industry's leading VMS/NVR platforms.

All ConteralP Omni LX RS cameras now support on-camera analytics on all four sensors. Several behaviors are available with the included standard analytic package. For even more powerful behaviors, optional advanced analytics are available. The ConteralP Omni LX RS is ideal for applications with challenging lighting conditions. For additional low light performance, IR models are also available. The Omni LX RS combines a day/night mechanical IR cut filter for the highest image quality at any time of day. For clear color images in low-light, NightView

offers strong low-light sensitivity for capturing details in extremely poor-lit scenes. The Omni LX RS also offers our next generation H.265 with SNAPstream+™ (Smart Noise Adaptation and Processing) smart codec capable of delivering high quality video while saving over 50% of the data rate to reduce or prevent strain on the network. Power is supplied via a single Cat6 cable that is 802.11bt Class 5 or better compliant.

ConteralP Omni LX RS is designed for demanding environments. Certified to rigorous dust and water tests, the camera carries an IP66 rating. The rugged dome housing is IK-10 rated for vandal-prone applications.

The ConteralP Omni LX RS is ONVIF (Open Network Video Interface Forum) Profile S, G, M, and T conformant, providing interoperability between network video products regardless of manufacturer.



youtube.com/CostarHD
linkedin.com/company/CostarHD
twitter.com/CostarHD
facebook.com/CostarHD
CostarHD.com

©CostarHD™, LLC reserves the right to change specifications without notice

(858) 391-1800

COSTAR HD

CHDXX576RSXX

20 or 32 Megapixel (MP) H.265/H.264 All-in-One Multi-Sensor Cameras with Cap and RJ45-IP67 Quick Disconnect Remote Setup Omni-Directional Remote-Configurable Multi-Sensor True Day/Night Indoor/Outdoor Dome IP Cameras with SNAPstream+™ (Smart Noise Adaptation and Processing), WDR (Wide Dynamic Range), NightView™, Analytics, and IR Models

Camera Imaging Specifications

Model		AV20576RS	AV20576RSIR	AV32576RSIR
Image Sensor (CMOS)		20MP (5MP x 4) CMOS Progressive Sensor	20MP (5MP x 4) CMOS Progressive Sensor	32MP (8MP x 4) CMOS Progressive Sensor
Optical Format		1/2.8"	1/2.8"	1/1.8"
Pixel Pitch		2.0µm	2.0µm	2.0µm
Minimum Illumination	Color (Day Mode)	0.15 Lux	0.15 Lux	0.15 Lux
	B/W (Night Mode)	0.15 Lux	0.15 Lux	0.15 Lux
Full FOV Resolution	Total	10368 H x 1944 V	10368 H x 1944 V	15360 H x 2160 V
	Per Sensor	2592 H x 1944 V	2592 H x 1944 V	3840 H x 2160 V
IR Illumination		No	Yes	Yes
Dynamic Range		DOL WDR 120db	DOL WDR 120db	DOL WDR 120db
Frame Rates ¹	At Max Resolution	30fps (20MP)	30fps (20MP)	30fps (32MP)
	Multi-Stream	Up to 30fps (20MP) + 30fps (20MP) + 30fps (1.2MP) Enhanced WDR on	Up to 30fps (20MP) + 30fps (20MP) + 30fps (1.2MP) Enhanced WDR on	Up to 30fps (32MP) + 30fps (8MP) + 30fps (0.9MP) Enhanced WDR on
Lens (x4)		3.3–6.6mm, F1.8, H-FOV = 42°–96°	2.7–13.5mm, F1.4, H-FOV = 30°–101°	4–10mm, F1.4, H-FOV = 45°–110°

Programmability

Optics	Remote focus / zoom	
Low-Light Performance	NightView™ technology	
Programmable Shutter Speed	Auto/manual 0.1ms ~ 500ms	
Motion Detection	Real-time, 1024 detection zones	
Privacy Masking	Unlimited	
Backlight Compensation	Auto	
White Balance Mode	Auto/manual	
Gain Control	Auto	
Flicker Control	5Hz–255Hz adjustable	
Image Rotation	180°	
Scaling <i>(Per Sensor)</i>	20MP	2592x1944, 2560x1440, 2304x1296, 2048x1536, 1920x1080, 1600x1200, 1296x972, 1280x960, 1280x720, 800x600, 640x480
	32MP	3840x2160, 2592x1944, 2560x1440, 2304x1296, 2048x1536, 1920x1080, 1600x1200, 1296x972, 1280x960, 1280x720, 800x600, 640x480, 640x360
Wide Dynamic Range	Adjustment between WDR and LDR modes	
Efficiency	SNAPstream+ (Smart Noise Adaptation and Processing)	
	Bit rate and bandwidth limitation control	
Miscellaneous	Programmable brightness, contrast, sharpness, saturation, hue	
Password	16-digit ASCII character password	
On-Screen Display (OSD)	Time/date/camera name/custom text	
Standard Video Analytics ²	Motion Detection	
	Camera Tamper	
	Intrusion Detection	
	Line Crossing	
	Loitering	
Optional Advanced Video Analytics ²	Object Classification (Person/Vehicle) ³	
	Object Left/Removed ³	
	People/Vehicle Counting ³	
Included Accessories	RS	Power Cable, Alarm Cable
	RSIR	Cap, Power Cable, Alarm Cable, 2x Audio Cables (In/Out)

¹ Maximum with H.264 compression

² Analytics are not designed for heavy traffic locations such as roads and intersections

³ Requires Optional Advanced Video Analytic License



Data Transmission

Compression Type	H.265/H.264 (MPEG-4, Part 10)/Motion JPEG
	21 levels of quality
Bit Rate Control	128K–8000K
Smart Codec	Smart GOP
Network Protocols	SNMP, HTTP, HTTPS, IPv6, IPv4, SSL, TCP/IP, UPnP, UDP, RTCP, RTSP, RTP, SMTP, NTP, DHCP, FTP, 802.1x, Zero Configure
Network Interface	10/100/1000Mbps Ethernet, RJ45
Max Camera Bandwidth	40Mbps (10Mbps per sensor)
Multi-Streaming	2 x H.265/H.264 stream, 1 x M-JPEG stream (per sensor)
Users	Live Viewing/Administrator for up to 10 clients

Compliance

Industry Standard	ONVIF Profile S, G, M, and T conformant
Listings	UL62368-1 & CAN/CSA-C22.2 No.62368-1, E489591
FCC Compliance	47 CFR 15 Class A
Environmental	RoHS, REACH, WEEE
Markings	CE: EN55032 Class A, EN55035, EN61000-3-2, EN61000-3-3, EN60950, IEC 62471
Mechanical	IK-10 (EN62262), IP66 (EN60529)

Event Management

Event Trigger	Motion detection, tampering detection, alarm in via RJ45
Notifications	Send/record message via e-mail/FTP/NAS, record JPG/mp4

Electrical

Alarm Input/Output	1 input (wet contact)/1 output (wet contact)	
Power Over Ethernet	RS	IEEE 802.3at (PoE+), Class 4
	RSIR	IEEE 802.3bt (PoE++), Class 5
Power Consumption	RS	25.5W max
	RSIR	40W max

CHDXX576RSXX

20 or 32 Megapixel (MP) H.265/H.264 All-in-One Multi-Sensor Cameras with Cap and RJ45-IP67 Quick Disconnect Remote Setup Omni-Directional Remote-Configurable Multi-Sensor True Day/Night Indoor/Outdoor Dome IP Cameras with SNAPstream+™ (Smart Noise Adaptation and Processing), WDR (Wide Dynamic Range), NightView™, Analytics, and IR Models

IR Illuminator (RSIR Models Only)

LEDs	6 pcs 850nm LEDs
Projection Distance	98.4ft (30m) IR distance (max) / 360° IR angle

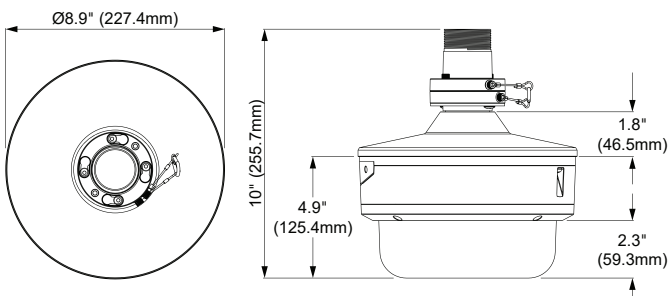
Environmental

Operating Temperature	-40°C (-40°F) to +50°C (122°F)
Humidity	0% to 90% (non-condensing)
Storage Temperature	-40°C (-40°F) to +60°C (140°F)

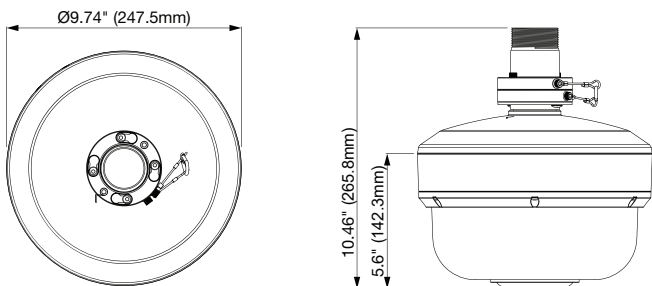
Mechanical

Casing	Die-cast aluminum chassis with polycarbonate dome bubble		
	IP66 weather proof standard		
	Impact resistant, IK-10 rated		
Dimensions <i>(See Dimensions)</i>	RS	Unit	Ø 8.8" (223.4mm) x 4.9" H (125.4mm)
		Bubble Only	Ø 7.2" (183.3mm) x 2.3" H (59.3mm)
		Packaged	11.1" W (281mm) x 11.1" L (281mm) x 7.4" H (188mm)
	RSIR	Unit	Ø 9.72" (247mm) x 7.95" H (202mm)
		Bubble Only	Ø 8.44" (214.31mm) x 3" H (76.3mm)
		Packaged	28.54" W (725mm) x 14.57" L (370mm) x 12.99" H (330mm)
Weight	RS	Unit	5.2lbs (2.36kg)
		Packaged	5.9lbs (2.68kg)
	RSIR	Unit	7.55lbs (3.43kg)
		Packaged	10.09lbs (4.58kg)
On Board Storage	RS	MicroSDXC slot up to 1TB (card not included)	
	RSIR	2 x MicroSDXC slot up to 2TB (card not included)	
Body Color	Arecont Vision® White (Pantone® Cool Gray 1C)		

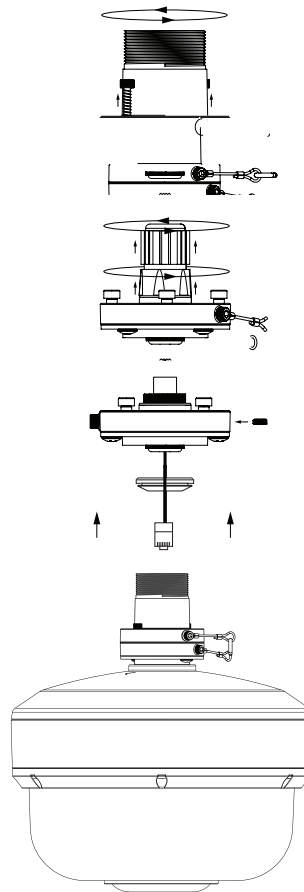
Dimensions



Non-IR Model



IR Model



CHDXX576RSXX

20 or 32 Megapixel (MP) H.265/H.264 All-in-One Multi-Sensor Cameras with Cap and RJ45-IP67 Quick Disconnect Remote Setup Omni-Directional Remote-Configurable Multi-Sensor True Day/Night Indoor/Outdoor Dome IP Cameras with SNAPstream+™ (Smart Noise Adaptation and Processing), WDR (Wide Dynamic Range), NightView™, Analytics, and IR Models

Model Numbers

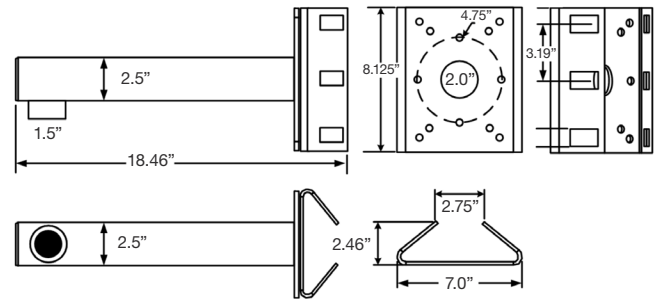
20MP	CHD20576RS
	CHD20576RSIR
32MP	CHD32576RSIR

Optional Advanced Video Analytics Licenses

C-SEC-ADV-4	ConteralP Advanced Security Analytics 4 Channel License
--------------------	---

Accessories (Sold Separately)

AV-CRMA-W	Corner Mount Adapter (Arecont Vision® White)
AV-JBA-W	Standard Junction Box (Arecont Vision® White)
AV-PMA-W	Pole Mount Adapter (Arecont Vision® White)
AV-PMJB-W	Pendant Mount Bracket with Standard Junction Box (Arecont Vision® White) (Fits Cap 1.5" NPT, Box Fits 3/4" NPT)
AV-WMJB-W	Wall Mount Bracket with Standard Junction Box (Arecont Vision® White) (Fits Cap 1.5" NPT, Box Fits 3/4" NPT)
7412007-006	PoE++ Injector (IEEE 802.11bt, Class 7)
8518-2	Integrated Pole Mount (Fits poles with 4" diameters and larger)



8518-2 (Pole Mount)

RISE & OMNI RS Series IP Video Cameras

Rugged Innovation with Superior Endurance

The RISE Series IP video cameras are designed and built by CostarHD for critical infrastructure applications demanding high-quality images, rugged construction and seamless interoperability. The RISE Series delivers advanced performance at unbeatable pricing. The OMNI series adds ruggedized multi-sensor performance at an industry-leading price point.

About CostarHD™

CostarHD is a leading manufacturer of high-definition video systems designed to satisfy the demanding performance requirements for critical infrastructure applications. CostarHD solutions integrate the latest high-definition video imaging and compression technologies into ruggedized camera products for monitoring in critical, sensitive environments.